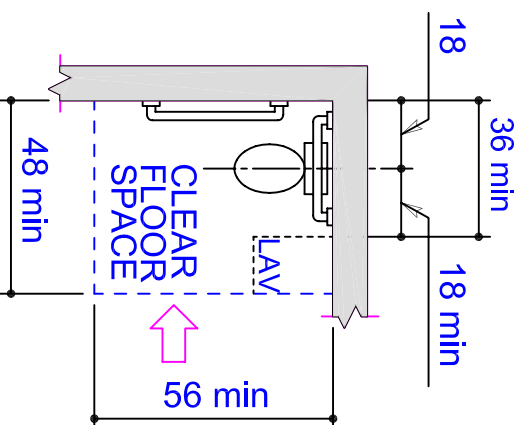
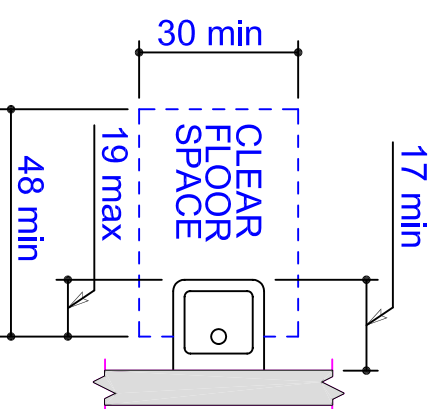


OR



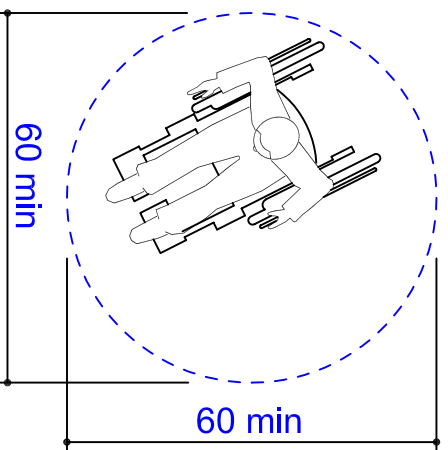
PLUS



PLUS

Clear Floor Space at Water Closets

Clear Floor Space at Lavatories



60-IN. Diameter Space

PLUS

$$\frac{\text{FIGURE 25}}{\text{DOOR REQUIREMENTS}} = \frac{\text{FLORIDA ACCESSIBLE TOILET ROOM}}$$

COMPONENTS TO CREATE A
FLORIDA ACCESSIBLE TOILET ROOM